

## GHG-KH Ultra Heavy Duty Lift-Off Hinge

### Features

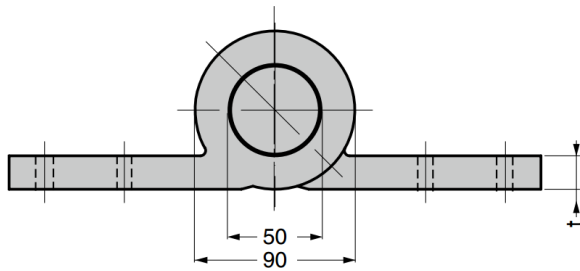
- Ultra thick hinge for ultra heavy doors.
- Thrust bearing in movable part provides smooth movement
- Suitable for large doors, gate doors, etc.

### Material

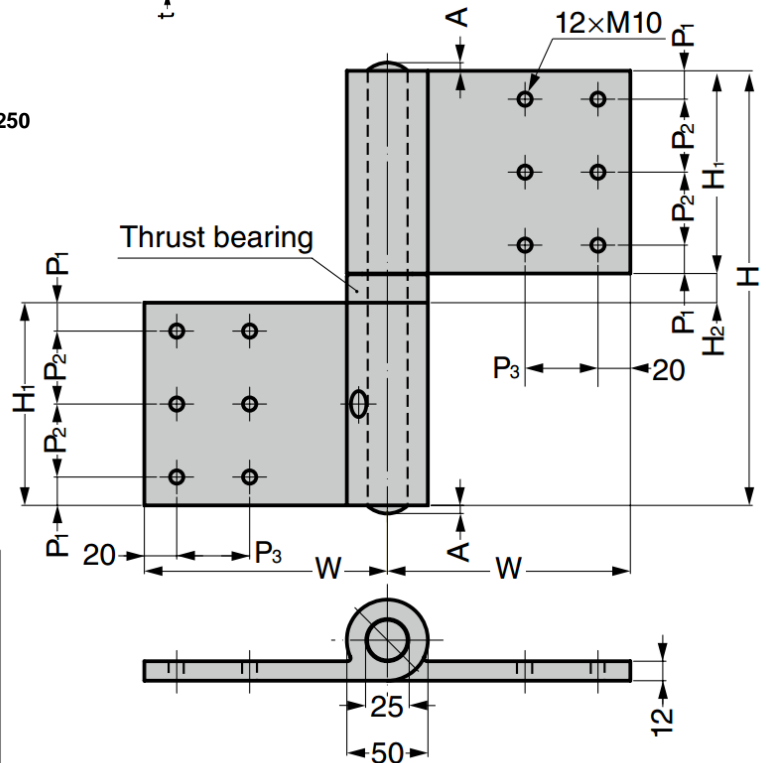
- Stainless steel 304, satin finish

### Notes

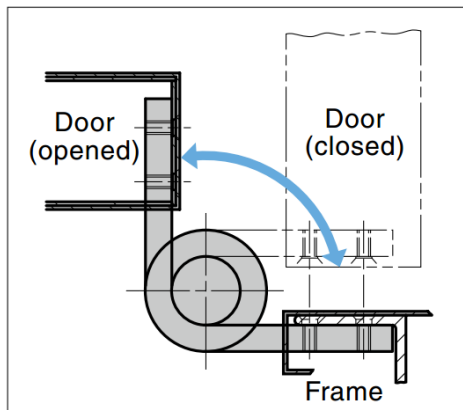
- Screws not included



GHG-KH19-275, GHG-KH20-250



GHG-KH12-268



Part No.	H	H <sub>1</sub>	H <sub>2</sub>	W	P <sub>1</sub>	P <sub>2</sub>	P <sub>3</sub>	A	t	Load Capacity (per pair)	
GHG-KH12-268	268	125	18	150	17.5	45	45	5	12	2,940 N	300 kg
GHG-KH19-275	275		25						19	4,810 N	490 kg
GHG-KH20-250*	250	114	22	140	17	40	40	10	20	4,610 N	470 kg

\*Made-to-order